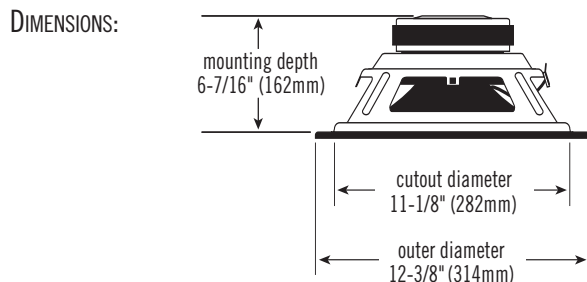


# Infinity Reference 1262w 12" Woofer – Technical Data

## SPECIFICATIONS

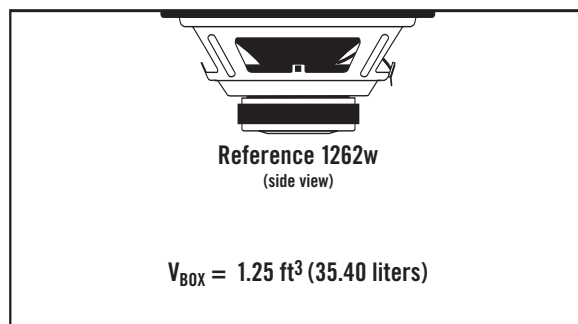
|                           |  |
|---------------------------|--|
| DIAMETER:                 | 12" (300mm)                                  |
| SENSITIVITY (2.83V @ 1m): | 96dB   |
| POWER HANDLING:           | 300W <sub>RMS</sub> (1200W <sub>PEAK</sub> ) |
| FREQUENCY RESPONSE:       | 23Hz ~ 400Hz                                 |
| NOMINAL IMPEDANCE:        | 2 or 8 OHMS                                  |
| VOICE COIL DIAMETER:      | 2.0" (51.0mm)                                |



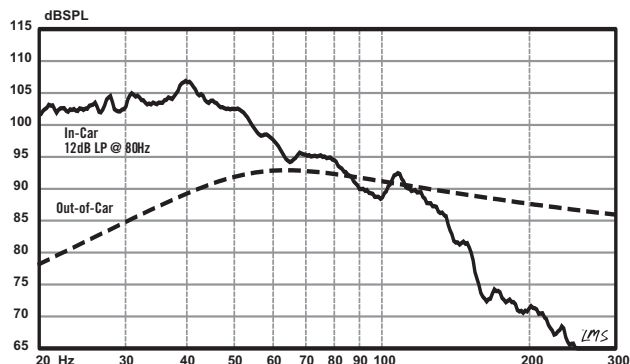
## THIELE-SMALL PARAMETERS

|                               |                                       |        |
|-------------------------------|---------------------------------------|--------|
| VOICE COIL DC RESISTANCE:     | $R_{EVC}$ (OHMS) . . . . .            | 1.80   |
| VOICE COIL INDUCTANCE @ 1kHz: | $L_{EVC}$ (MH) . . . . .              | 1.10   |
| DRIVER RADIATING AREA:        | $S_D$ (IN <sup>2</sup> ) . . . . .    | 82.30  |
|                               | $S_D$ (M <sup>2</sup> ) . . . . .     | 531.00 |
| MOTOR FORCE FACTOR:           | $BL$ (TM) . . . . .                   | 10.80  |
| COMPLIANCE VOLUME:            | $V_{AS}$ (FT <sup>3</sup> ) . . . . . | 2.83   |
|                               | $V_{AS}$ (LITERS) . . . . .           | 80.14  |
| SUSPENSION COMPLIANCE:        | $C_{MS}$ (μM/N) . . . . .             | 199.00 |
| MOVING MASS, AIR LOAD:        | $M_{MS}$ (GRAMS) . . . . .            | 203.00 |
| MOVING MASS, DIAPHRAGM:       | $M_{MD}$ (GRAMS) . . . . .            | 196.00 |
| FREE-AIR RESONANCE:           | $F_S$ (Hz) . . . . .                  | 25.00  |
| MECHANICAL Q:                 | $Q_{MS}$ . . . . .                    | 6.84   |
| ELECTRICAL Q:                 | $Q_{ES}$ . . . . .                    | 0.49   |
| TOTAL Q:                      | $Q_{TS}$ . . . . .                    | 0.46   |
| MAGNETIC-GAP HEIGHT:          | $H_{AG}$ (IN) . . . . .               | 0.314  |
|                               | $H_{AG}$ (MM) . . . . .               | 8.00   |
| VOICE COIL HEIGHT:            | $H_{VC}$ (IN) . . . . .               | 1.34   |
|                               | $H_{VC}$ (MM) . . . . .               | 34     |
| MAXIMUM EXCURSION:            | $X_{MAX}$ (IN) . . . . .              | 0.512  |
|                               | $X_{MAX}$ (MM) . . . . .              | 13.00  |

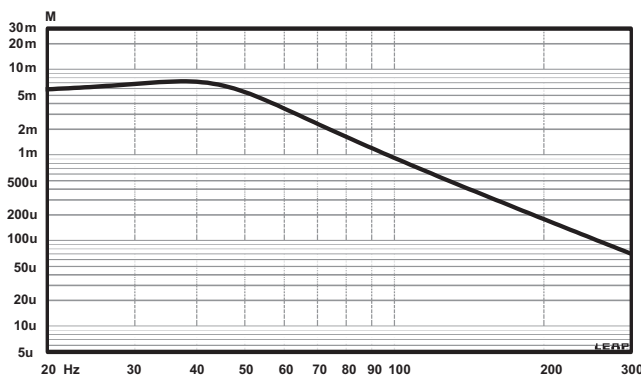
## SEALED BOX VOLUME (INCLUDES DRIVER DISPLACEMENT)



## SEALED ENCLOSURE FREQUENCY RESPONSE @ 2.83V

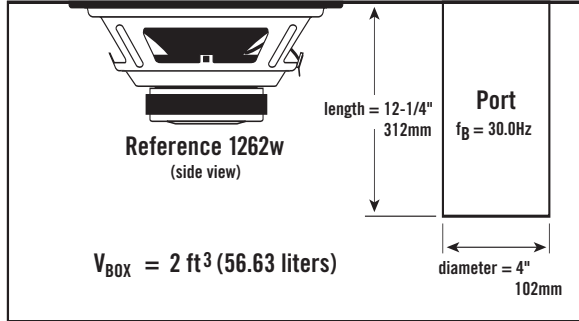


## SEALED ENCLOSURE CONE EXCURSION @ 300W

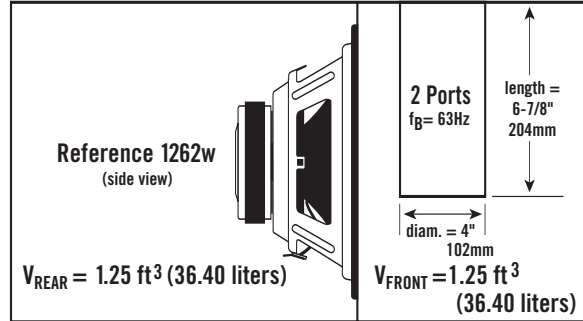


# Infinity Reference 1262w 12" Woofer – Technical Data

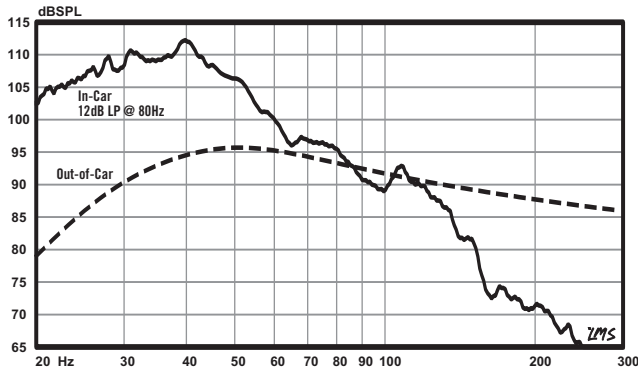
## VENTED BOX VOLUME (INCLUDES DRIVER/PORT DISPLACEMENTS)



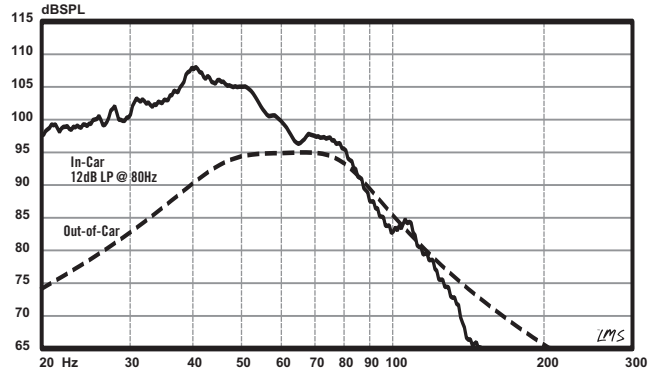
## BAND-PASS BOX VOLUME (INCLUDES DRIVER/PORT DISPLACEMENTS)



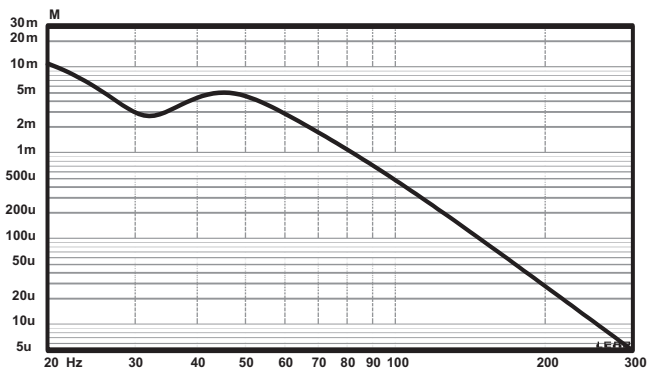
## VENTED ENCLOSURE FREQUENCY RESPONSE @ 2.83V



## BAND-PASS ENCLOSURE FREQUENCY RESPONSE @ 2.83V



## VENTED ENCLOSURE CONE EXCURSION @ 300W



## BAND-PASS ENCLOSURE CONE EXCURSION @ 300W

